

EXTRA PRACTICE — Exercises

Copyright © 2003 by Videotext *Interactive*

Unit III – First Degree Relations with Two Placeholders

Part B – Special Cases of Solution Sets

Lesson 2 – $x = a$, $x < a$, $x > a$

For each of the following, graph the solution set.

1. $x < 6$

2. $x = 7$

3. $x > \frac{-5}{2}$

4. $x < -3$

5. $x \geq 0$

6. $x = -2$

7. $x = -4$

8. $x \geq \frac{1}{2}$

9. $x \leq -5$

10. $x < 0$

EXTRA PRACTICE — Answer Key

Copyright © 2003 by Videotext Interactive

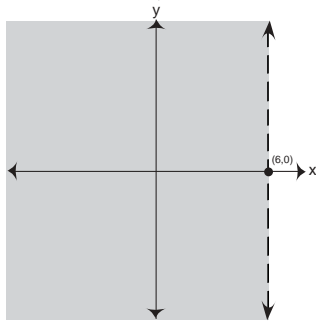
Unit III – First Degree Relations with Two Placeholders

Part B – Special Cases of Solution Sets

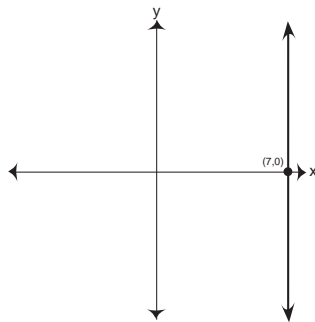
Lesson 2 – $x = a$, $x < a$, $x > a$

For each of the following, graph the solution set.

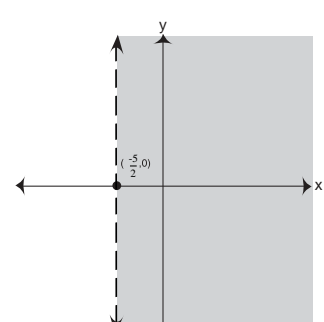
1.



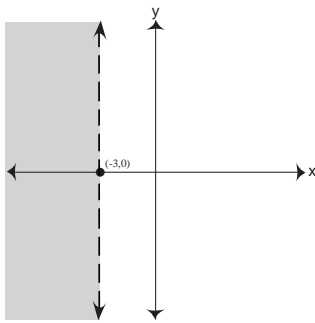
2.



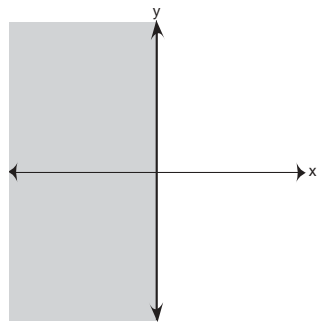
3.



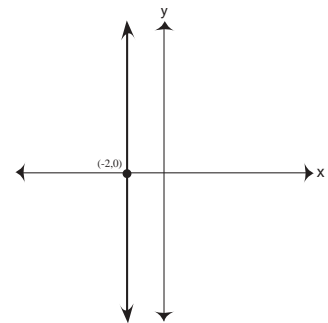
4.



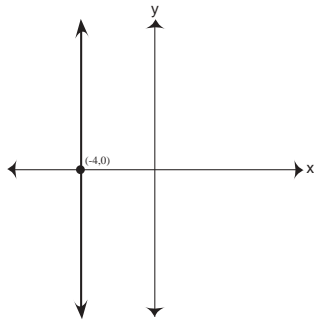
5.



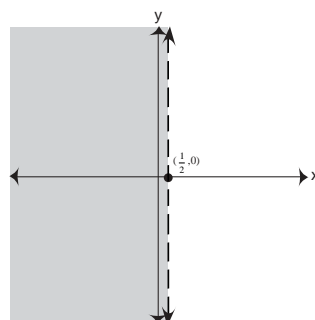
6.



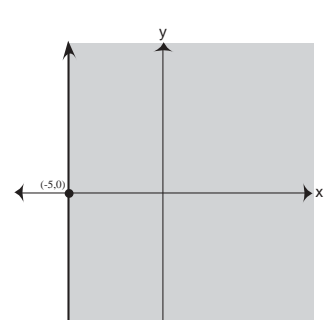
7.



8.



9.



10.

