

EXTRA PRACTICE — Exercises

Copyright © 2003 by Videotext *Interactive*

Unit III – First Degree Relations with Two Placeholders

Part B – Special Cases of Solution Sets

Lesson 1 – $y = a$, $y < a$, $y > a$

For each of the following, graph the solution set.

1. $y = -4$

2. $y < -5$

3. $y = -6$

4. $y > -2$

5. $y < 0$

6. $y = 6$

7. $y = 7$

8. $y = 2$

9. $y = \frac{5}{2}$

10. $y = 0$

EXTRA PRACTICE — Answer Key

Copyright © 2003 by Videotext Interactive

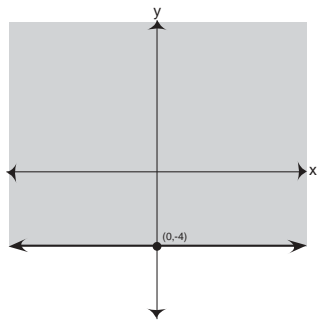
Unit III – First Degree Relations with Two Placeholders

Part B – Special Cases of Solution Sets

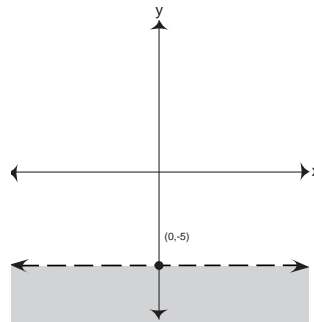
Lesson 1 – $y = a$, $y < a$, $y > a$

For each of the following, graph the solution set.

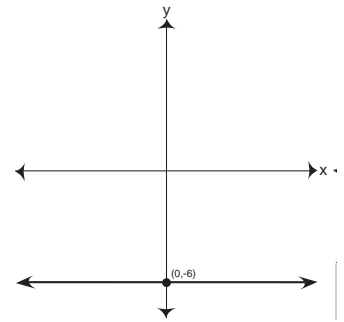
1.



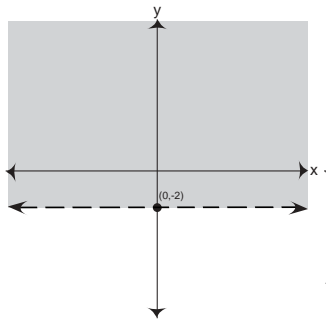
2.



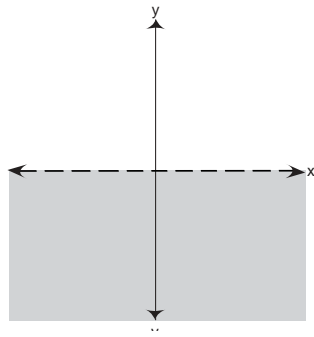
3.



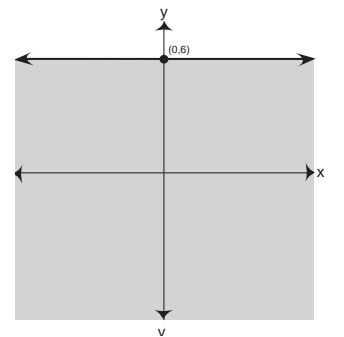
4.



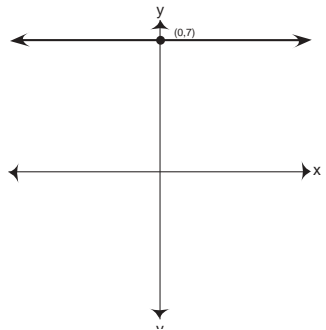
5.



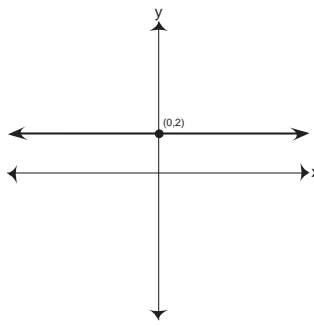
6.



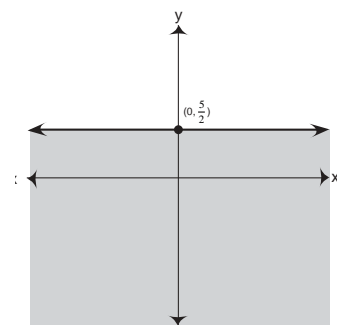
7.



8.



9.



10.

